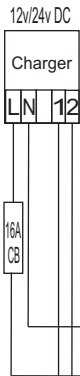
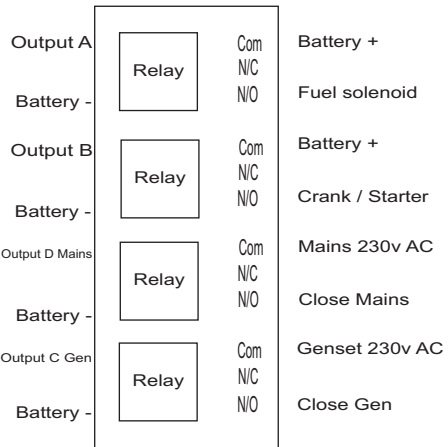


12V/24V DC



- 1 Battery -
- 1 Battery - Charger
- 2 Battery +
- 3 Fuel solenoid
- 4 Crank / Starter
- 5 Charge Alt D+
- 11 Low Oil
- 12 High Temp
- 13 Fuel level
- 14 Remote start
- 16 User input
- 18 ECU
- 19 ECU

# DSE 4520 Controller

